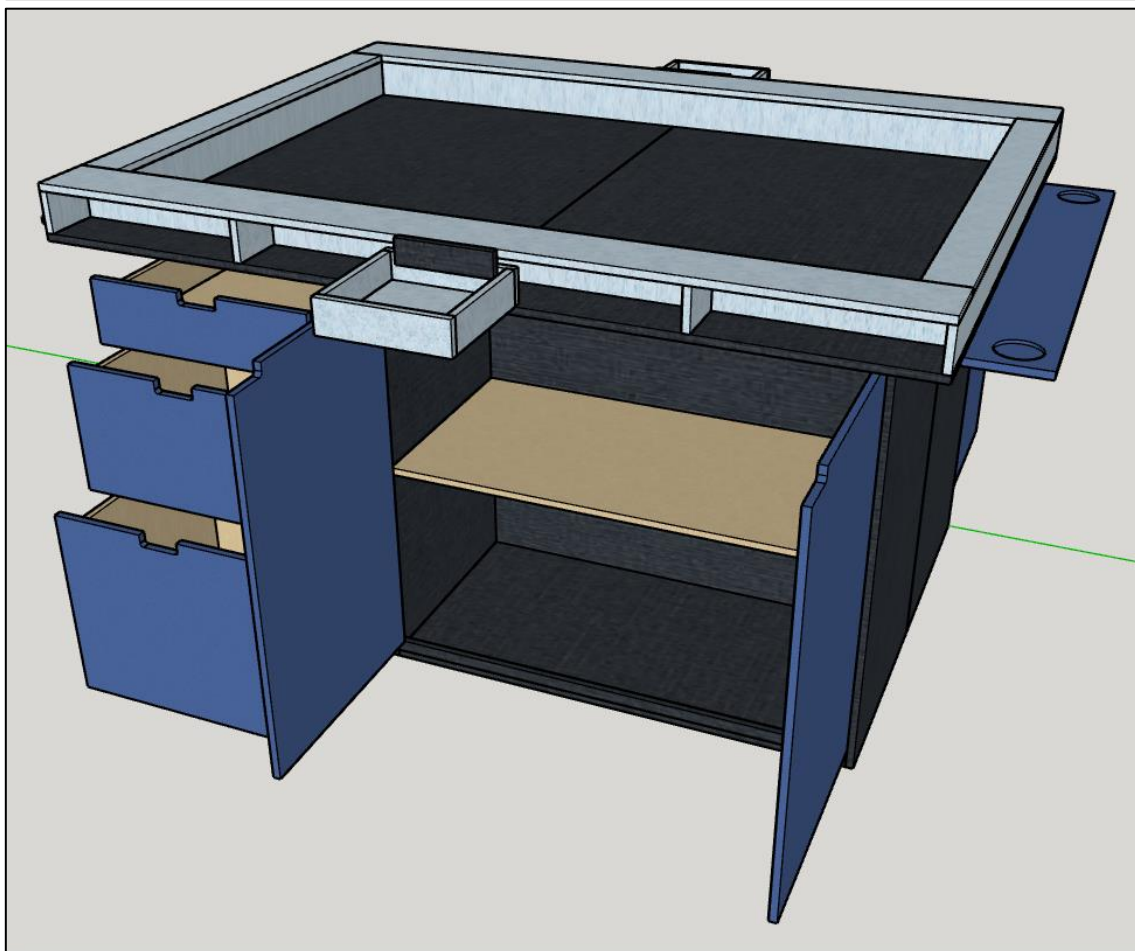
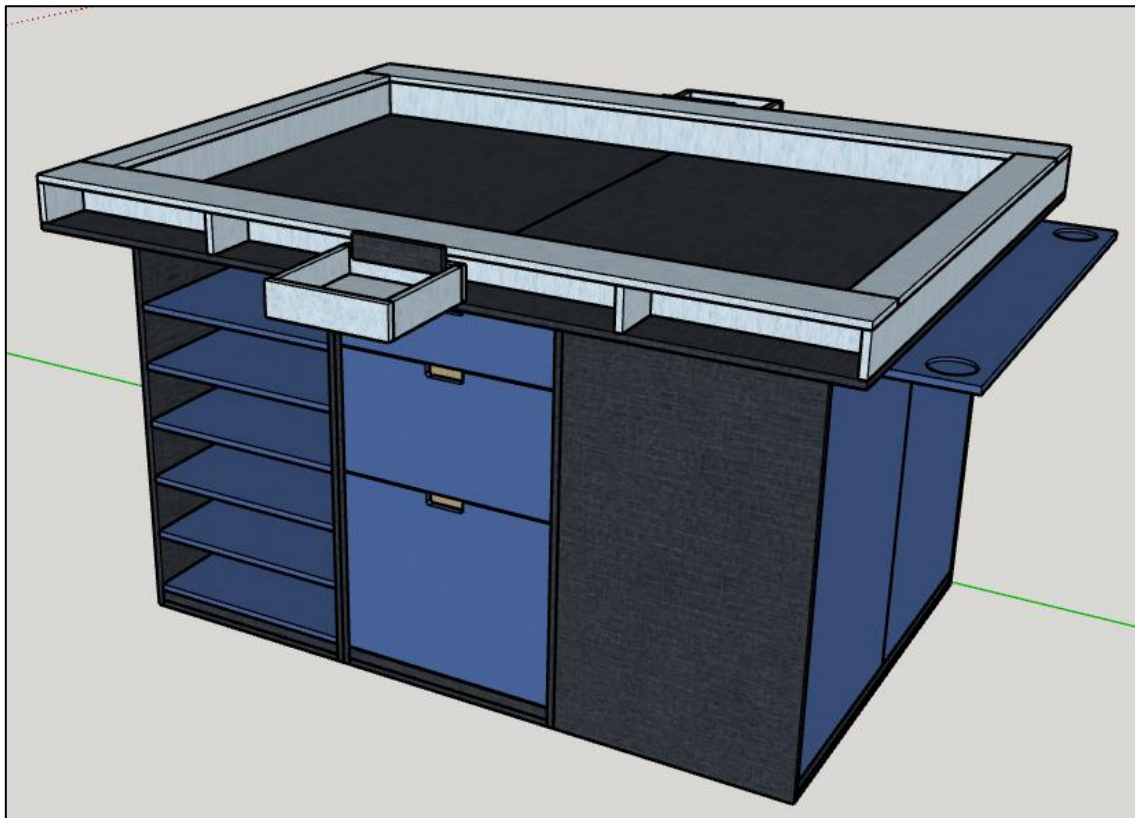


# Warhammer Gaming Table Order Guide



# Contents

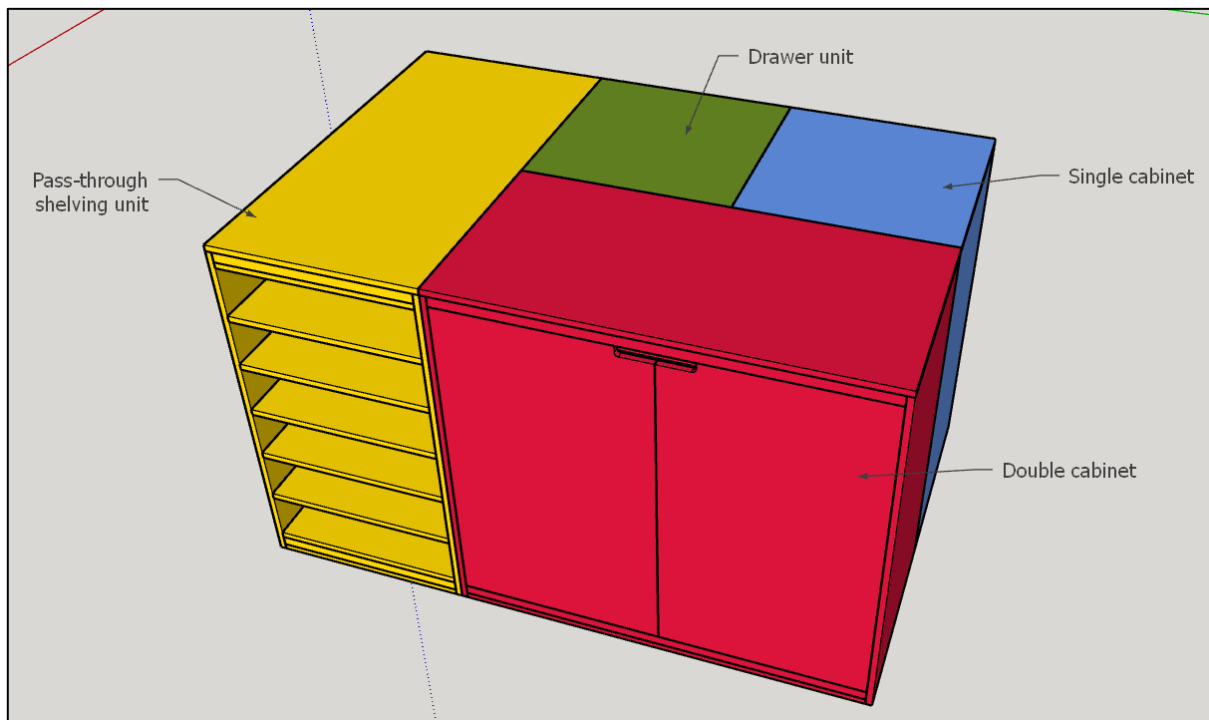
Introduction.....	3
Base Units.....	4
Drawer Unit .....	4
Single Cabinet Unit .....	4
Double Cabinet Unit .....	5
Pass-Through Shelving Unit .....	5
Tops .....	6
Top A – Small Ledge .....	6
Top B – Large Ledge .....	6
Additional Items .....	7
Fold-out Side Shelves.....	7
Dice Box .....	7
Pricing.....	8
Delivery and installation .....	8
Returns and Exchanges .....	8
Cancellations .....	8
Ordering Instructions.....	9

## Introduction

In order to build your table, you will need to select enough base units to create a solid platform for your top to sit on. The base units will form a 2x3 block as shown below...



An example layout is shown here:

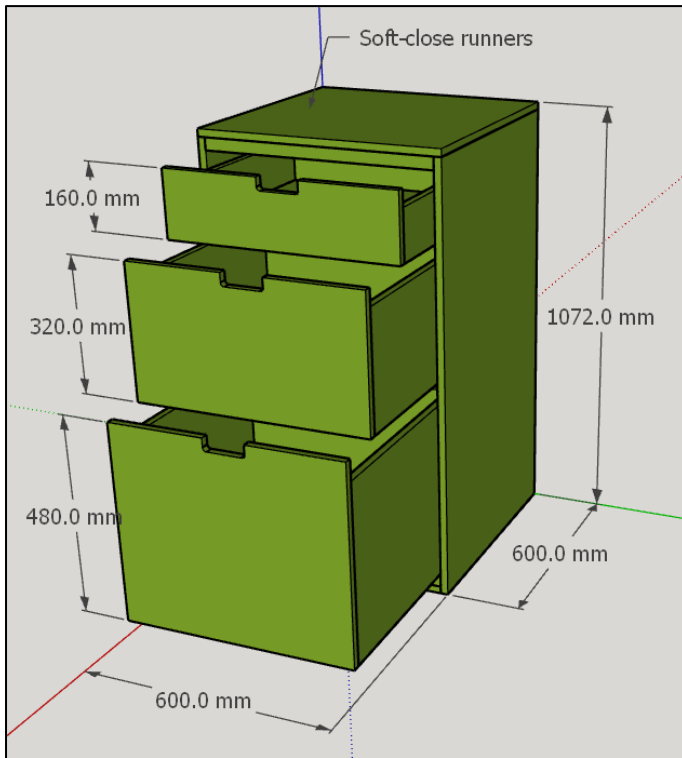


Please note:

- Units may be placed in any orientation, provided they form a 2x3 pattern.
- There is an option to leave the two central spaces open and only have base units at each end. A supporting structure is added into the central area to achieve this and leave the majority of the space open.
- All units, tops and accessories are supplied unpainted. The colour-scheme used throughout this guide is from our 3d design software and is simply to allow easy recognition of each unit in pictures containing multiple base units.

## Base Units

### Drawer Unit

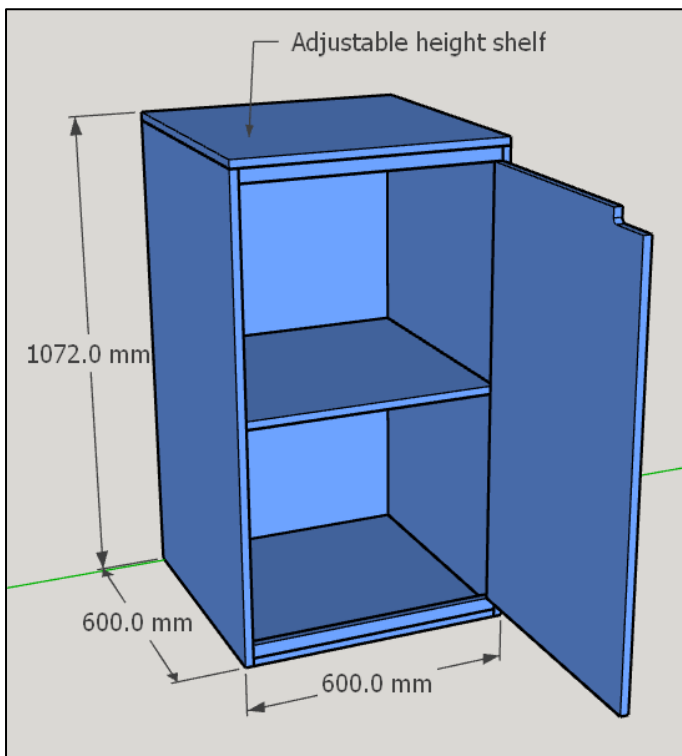


The drawer unit features three drawers. The middle drawer is twice the depth of the top. The lower drawer is three times the depth of the top. All drawers run on soft close runners. Handles are integrated into the drawer faces.

**SUPPLIED UNPAINTED.**

60cm x 60cm

### Single Cabinet Unit

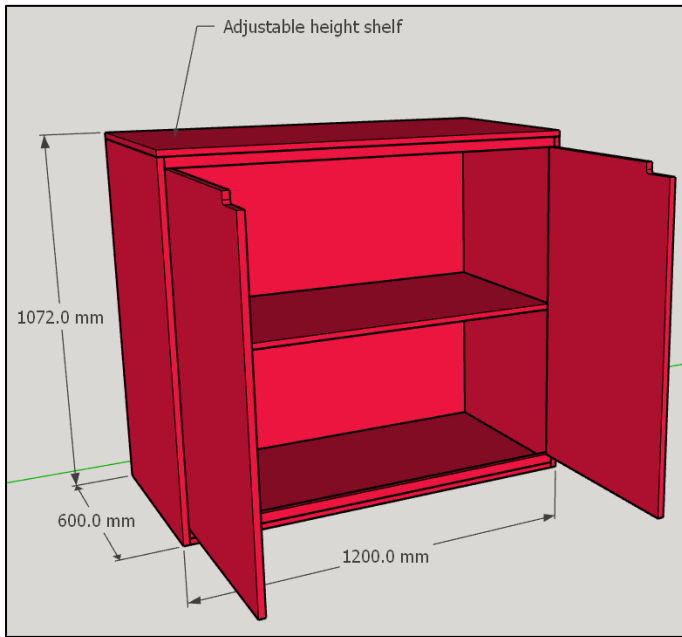


The single cabinet unit has a height adjustable internal shelf resting on shelf pins. The door sits on soft close hinges which can be fitted to either side during the build stage. It has an integrated handle.

**SUPPLIED UNPAINTED.**

60cm x 60cm

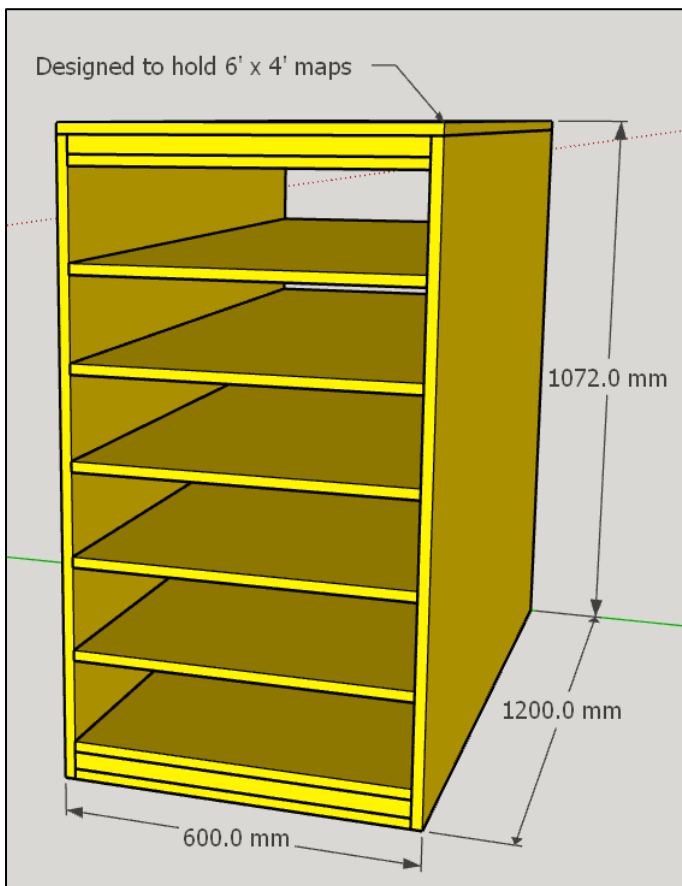
## Double Cabinet Unit



The double cabinet unit is similar to the single cabinet but has double doors. The shelf is height adjustable by moving the shelf pins up or down. The doors feature integrated handles, **SUPPLIED UNPAINTED.**

120cm x 60cm

## Pass-Through Shelving Unit



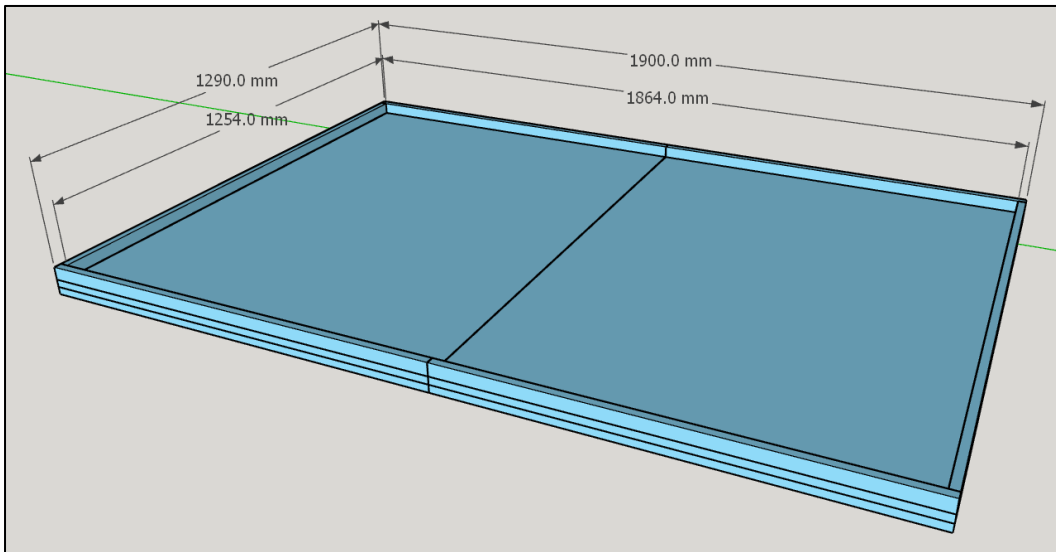
The pass-through shelving unit has six shelves, each with a height of 140mm. It is open at both ends and is designed to house up to eighteen rolled 6'x4' maps – three per shelf. These shelves are fixed and cannot be height-adjusted.

**SUPPLIED UNPAINTED.**

60cm x 120cm

## Tops

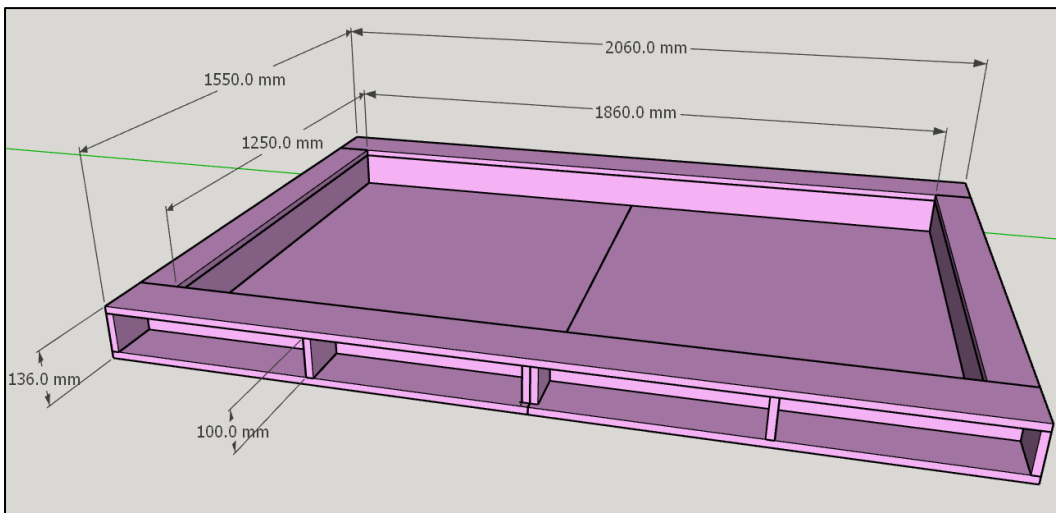
### Top A – Small Ledge



Top A – Small Ledge has a total external size of 190cm x 129cm. Inside the ledge, the recessed terrain map area is 186cm x 125cm. This is very slightly larger than 6' x 4' to accommodate any terrain maps that are slightly larger than their stated dimensions. The underside of Top A has a lip around the edge that allows it to fit snugly over the base units in a perfectly centralised position. Top A is built in two halves and assembled during installation.

**SUPPLIED UNPAINTED.**

### Top B – Large Ledge



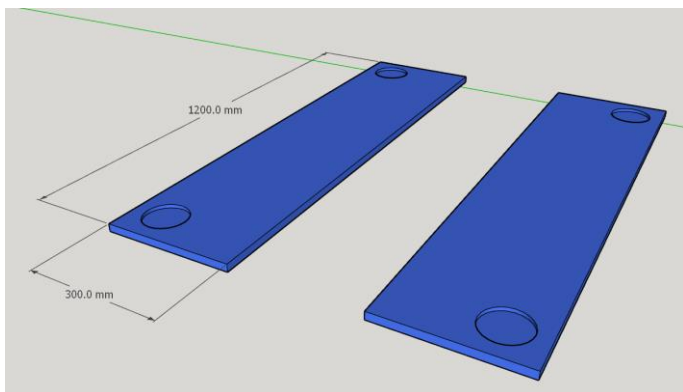
Top B – Large Ledge has an external size of 206cm x 155cm and the recessed terrain map area is the standard 186cm x 125cm to accommodate any slightly oversized 6' x 4' terrain maps. The ledge provides a 15cm wide surface along the long sides of the tabletop, and a 10cm ledge along the short sides. Open storage cubbies are built into the long sides of the ledge and provide 10cm of height and just over 13cm of depth for phones, snacks or other loose objects. Top B is fitted with a lip on the underside that sits snugly over the assembled base units to provide a stable and secure installation. Top B is built in two halves and assembled during installation. The ledges along the long sides are fitted over the join to provide a seamless surface from end to end.

**SUPPLIED UNPAINTED.**



## Additional Items

### Fold-out Side Shelves

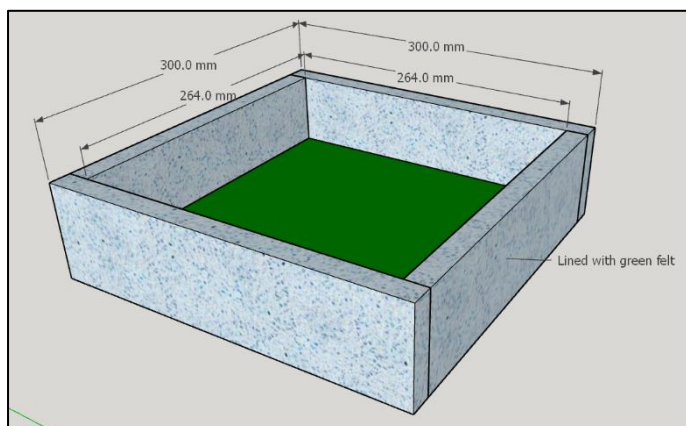


The fold-out side shelves are an optional addition to the gaming table. They are fitted using locking hinges so they can be swung down when not needed. Each features two 10cm recessed circles to hold drinks.

Please note: These are installed to the sides of the base units. They can only be fitted when base units are in an orientation that presents their side to the end of the gaming table.

For example, orienting the Double Cabinet so that its doors are on the end of the gaming table would prevent fitment of a side shelf.

### Dice Box

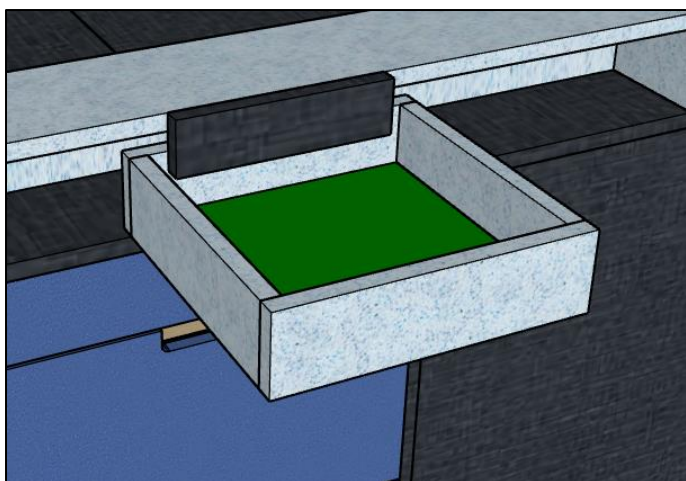


The dice box measures 30cm x 30cm externally, with the internal space being 26cm x 26cm. The base of the box is covered in green felt to allow the dice to roll without bouncing.

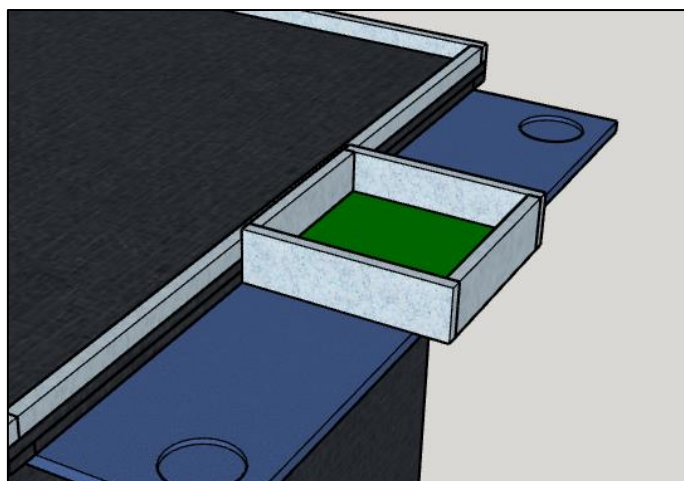
Dice boxes can be hooked onto Top B – Large Ledge using a simple installation system. They can be easily unhooked and moved if required.

It is recommended that at least one Fold-out Side Table is installed if Top A – Small Ledge is

selected. This gives players a place to store their dice boxes.



*Dice box hook on Top B- Large Ledge*



*Dice box on Fold-out Side Table on Top A- Small Ledge*

## Pricing

Prices are calculated on cost of materials and time taken to construct. Please ask if you would like more details about our transparent pricing structure.

Item	Cost per item
Top A – Small Ledge	£330
Top B – Large Ledge	£446

Drawer Unit	£475
Small Cabinet	£356
Large Cabinet	£449
Pass-through Shelving Unit	£462

Folding side table	£60
Dice Box	£50

## Delivery and installation

Delivery and installation within 200 miles is charged at a fixed cost of £100.

Delivery and installation within the UK (excluding Ireland) at a distance of over 200 miles is charged at £150.

## Returns and Exchanges

Exchanges are not accepted as this product is made to order.

Returns are accepted with 30 days of the delivery date. The buyer is responsible for return shipping costs as well as any loss in value if the item is not returned in original condition.

## Cancellations

Purchased jobs may be cancelled and will be fully refunded at any point up until materials are ordered. At this stage, any costs incurred in materials will be deducted from the refund amount. The cost of any units that have already been started will also be deducted.



## Ordering Instructions

Orders can be placed via any of the following options. You will be contacted within 24 hours of your enquiry. Your design will be clarified and the final price confirmed with you. Following this, you will be sent an invoice to cover the total cost. When your invoice has been paid, your job will be confirmed and scheduled.

Prior to beginning the build, you will be contacted to confirm you are still happy to proceed and to set a delivery and installation date. After this point, you will no longer be eligible to a full refund if you cancel your order (see cancellation policy on previous page).

Telephone	07305093457
Text Message	
Whatsapp	
Email	ollie@cox-and-sons.com
Messenger	Via Cox and Sons Bespoke Furniture on Facebook
Instagram Messenger	Via Cox and Sons Bespoke Furniture on Facebook
Web form	Via the Contact Us page at <a href="http://cox-and-sons.com">cox-and-sons.com</a>

